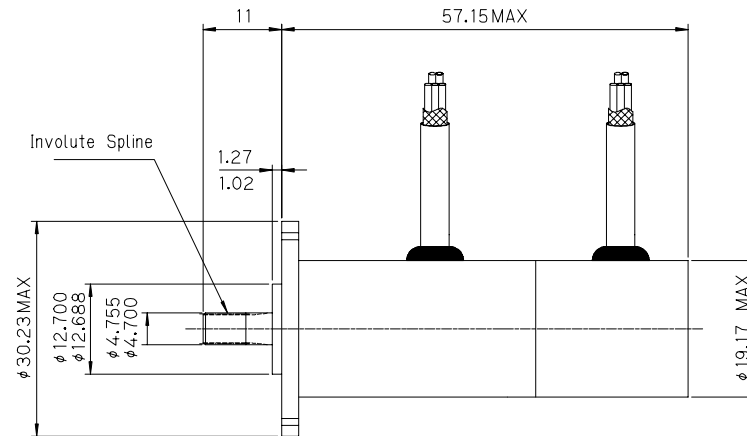


Rotary Variable Differential Transformer (TANDEM RVDT)



Ref. #RVDT5



Dimension : mm

Technical Specifications

| | |
|----------------------------|---|
| EXCITATION VOLTAGE | 6.00±0.3 Vrms |
| FREQUENCY | 3906±120 Hz |
| SECONDARY SUM VOLTAGE..... | 5.37 Vrms ±10% |
| SCALE FACTOR | 0.016091 Vrms/Vrms/Deg (Va-Vb)/(Va+Vb) |
| ACCURACY (±39Deg) | ±0.5 Deg |
| INPUT IMPEDANCE | 240 Ω to 700 Ω |
| MASS..... | 125g |

Improved Accuracy!

Improved Tracking Accuracy!

Tracking: ±0.156 Deg