

Rotary Variable Differential Transformer (RVDT)

Use For Commercial Aircraft!



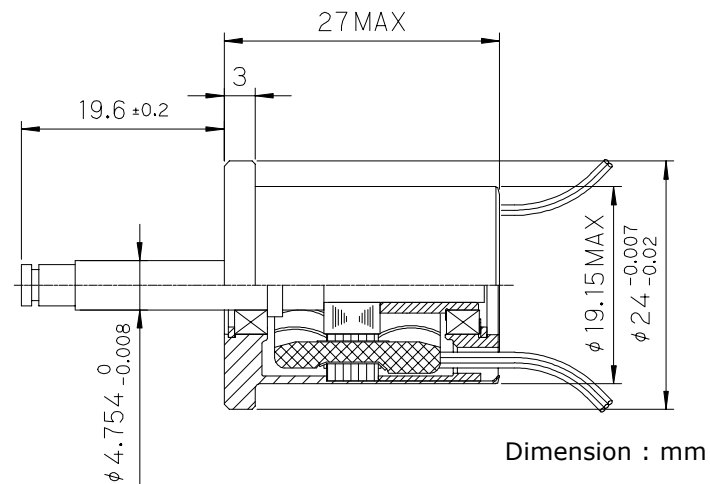
Ref.#RVDT1

10% lower consumption current compared to competitors

So, this RVDT is eco-friendly!

Input Current:16mA (competitor: 18mA)

Improved Accuracy!



Dimension : mm

Technical Specifications

EXCITATION VOLTAGE.....	7.07±0.1 Vrms
FREQUENCY.....	1800±50 Hz
SECONDARY SUM VOLTAGE.....	6.10 Vrms±8%
SCALE FACTOR.....	0.01590 Vrms/Vrms/Deg (Va-Vb)/(Va+Vb)
ACCURACY(±36Deg).....	±0.18 Deg
INPUT IMPEDANCE.....	257Ω MIN
MASS.....	45g