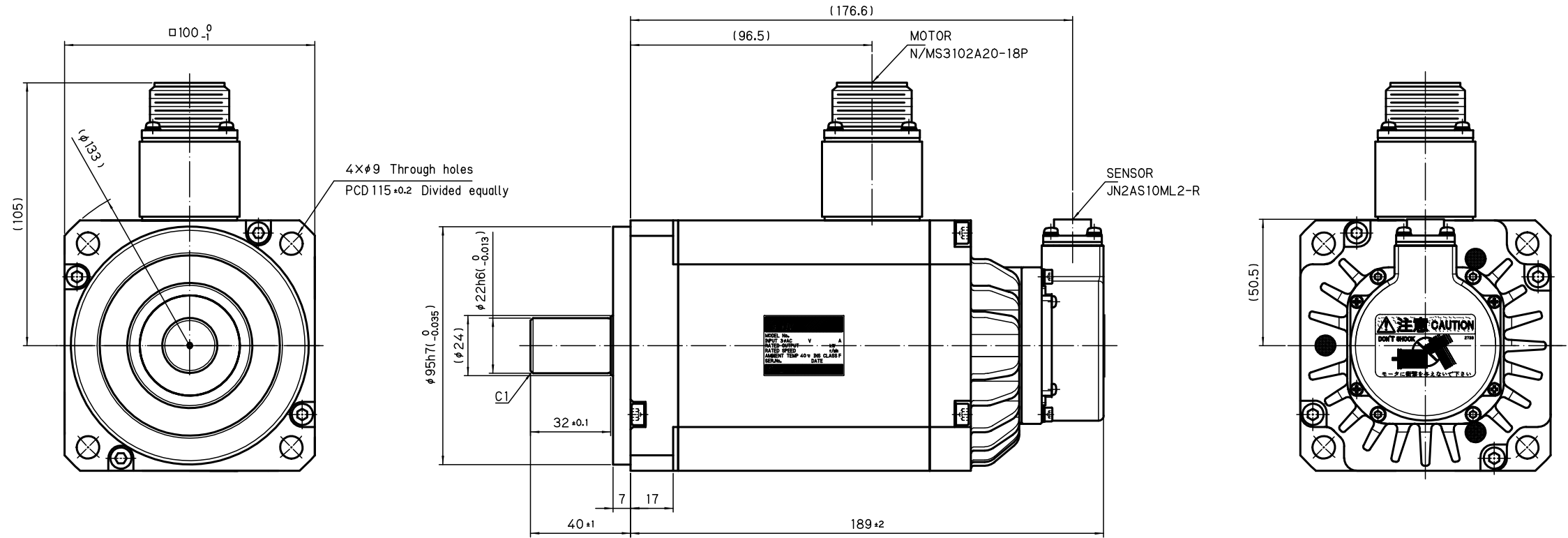
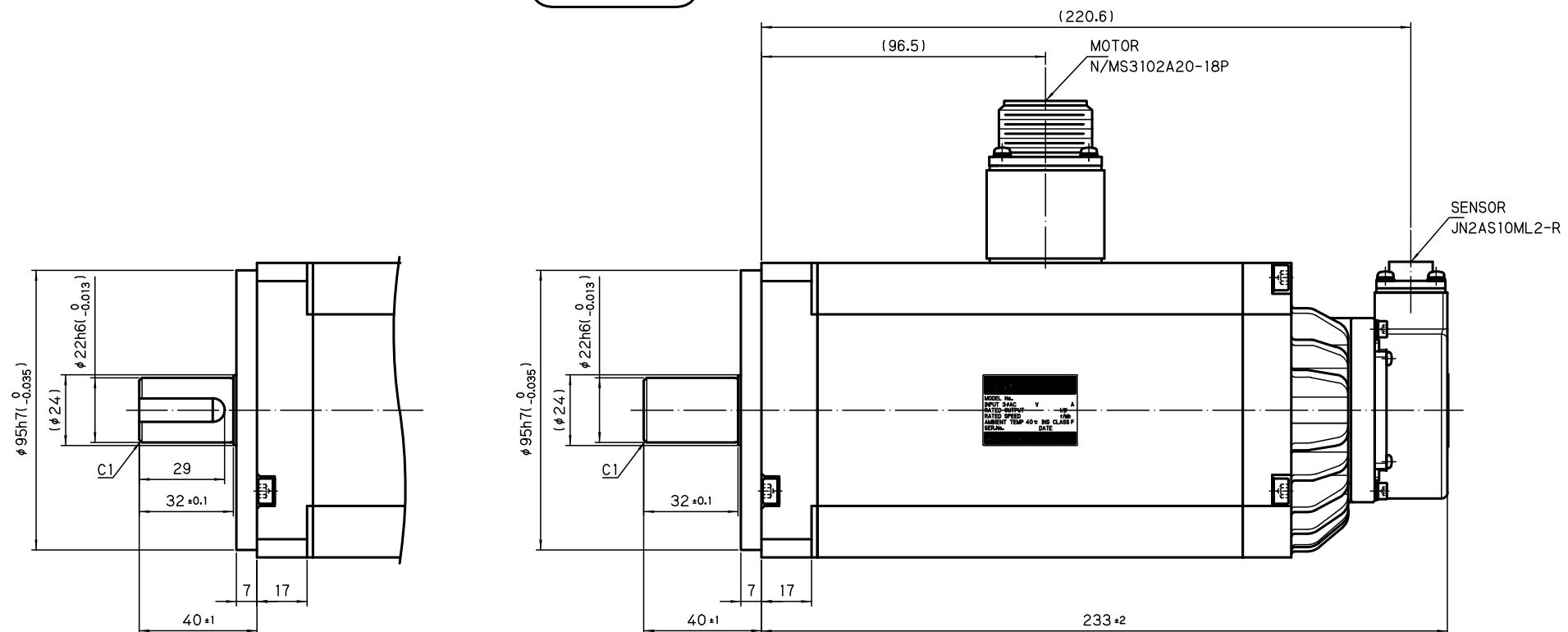


□100

Without Brake



With Brake



Shaft key : 8×7×25 (Square)