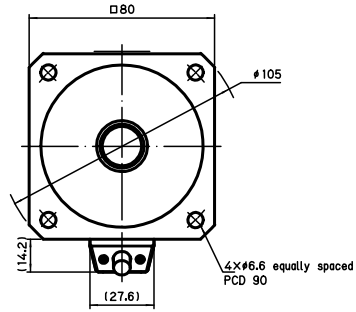
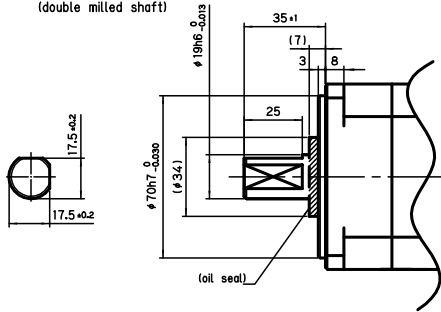


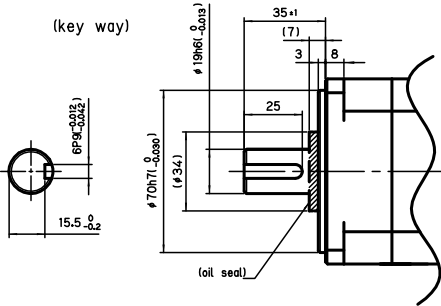
□80



(double milled shaft)

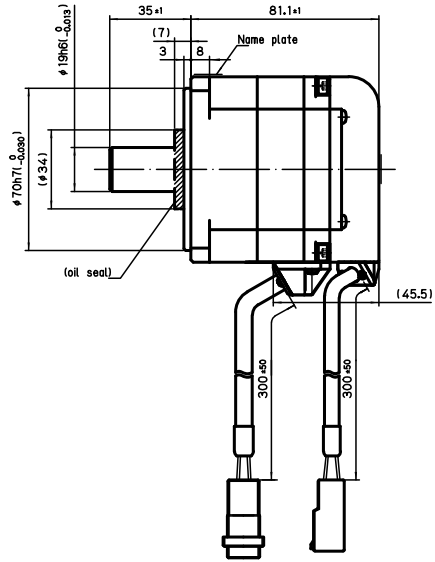


(key way)

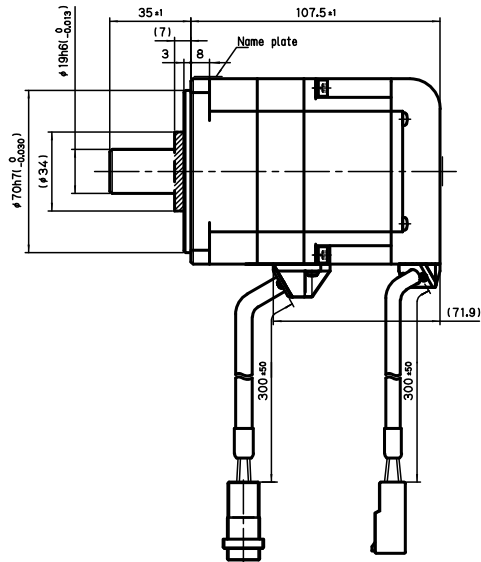


Shaft key 6X6X25 (Round at one end)

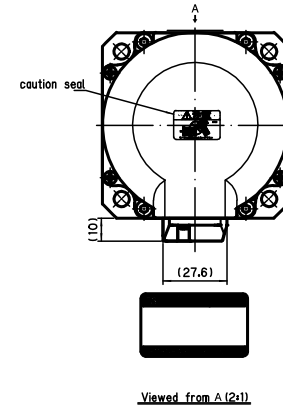
(Without Brake)



(With Brake)



TSM3302 400W



Viewed from A (2:1)