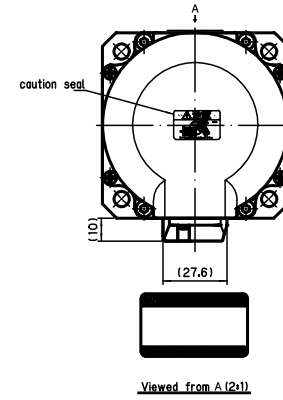
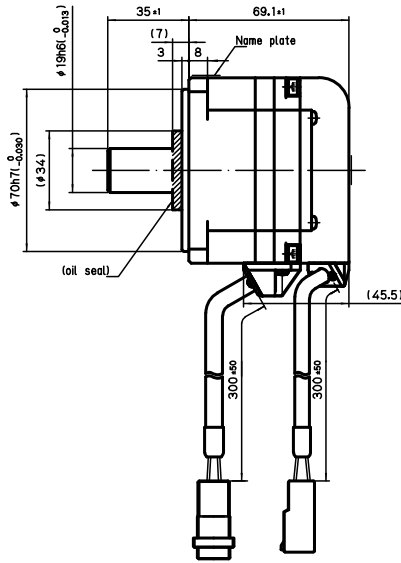
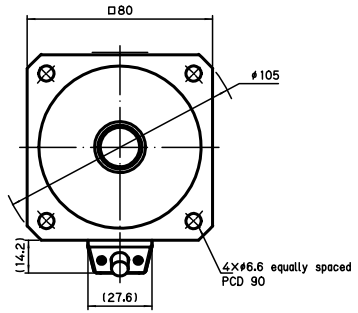


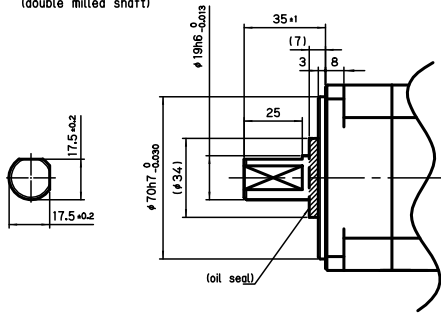
□80

Without Brake

TSM3301 200W

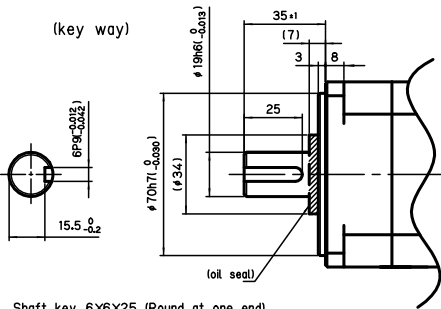


(double milled shaft)



With Brake

(key way)



Shaft key 6X6X25 (Round at one end)

