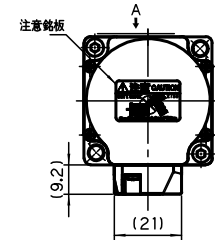
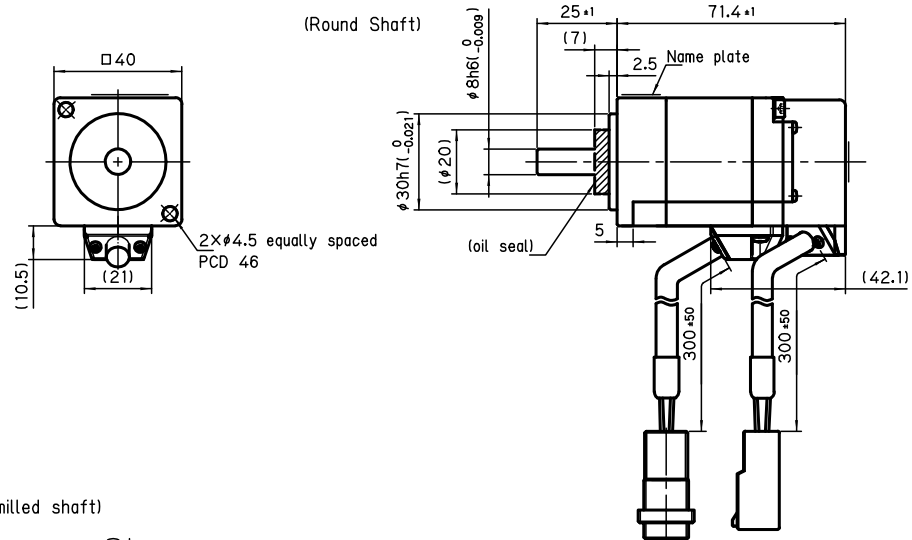


□40

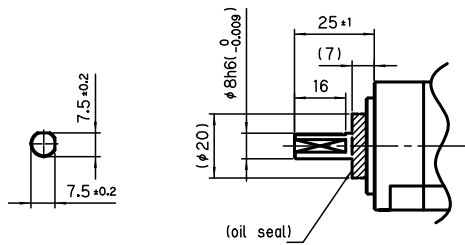
Without Brake

TSM3104 100W

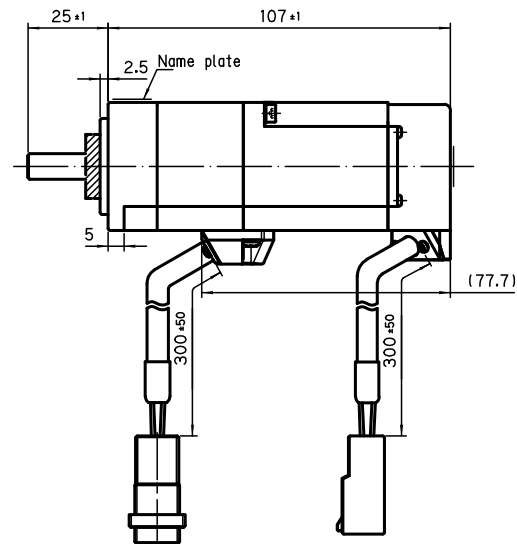


Viewed from A (2:1)

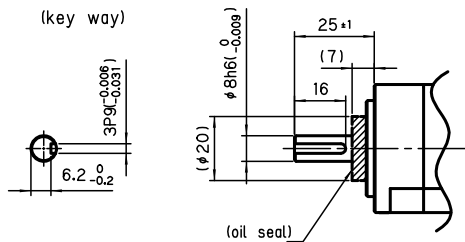
(double milled shaft)



With Brake



(key way)



Shaft key 3X3X16 (Round at one end)