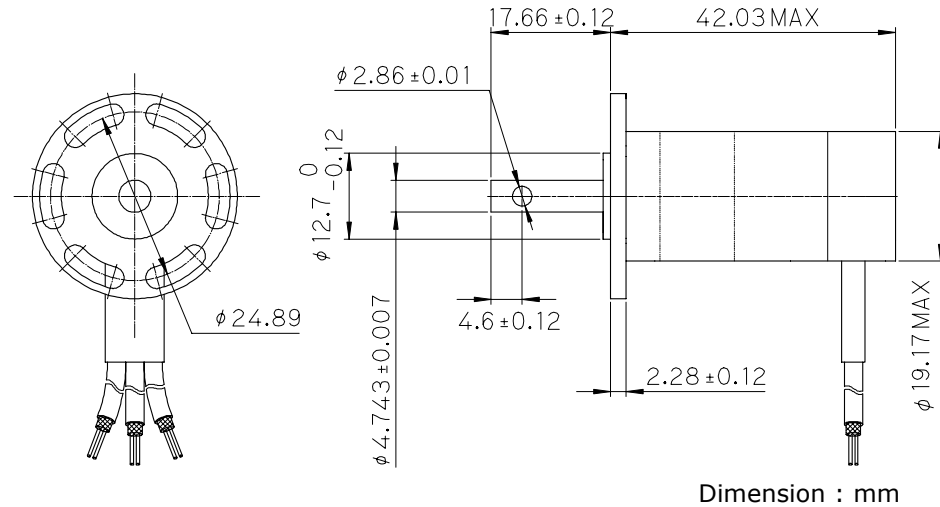


# RESOLVER



## Technical Specifications

EXCITATION (RMS) .....	7.07 $\pm$ 0.5%
FREQUENCY .....	3000 $\pm$ 0.1%
INPUT CURRENT .....	7.0 mA MAX
TRANSFORMATION RATIO .....	0.5 $\pm$ 0.18
ACCURACY .....	$\pm$ 10 minutes
SENSITIVITY .....	61m Vrms/deg $\pm$ 10%

Ref.#RESOLVER1

Braided Shield Wire

Main Shaft has mechanical Fuse

