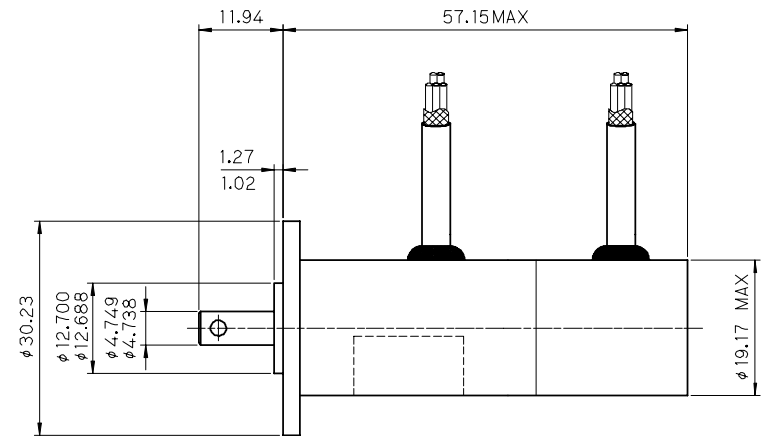


# Rotary Variable Differential Transformer (TANDEM RVDT)

Use For TQA in Commercial Aircraft!



Ref. #RVDT2



Dimension : mm

## Technical Specifications

EXCITATION VOLTAGE .....	6.00±0.3 Vrms
FREQUENCY .....	3000±150 Hz
SECONDARY SUM VOLTAGE .....	5.00 Vrms±10%
SCALE FACTOR .....	0.016129 Vrms/Vrms/Deg (Va-Vb)/(Va+Vb)
ACCURACY(±39 Deg) .....	±0.55 Deg
INPUT IMPEDANCE .....	150Ω to 700Ω
MASS .....	125g

**Lightweight and eco-friendly RVDT!**

Contributing to reduction of aircraft weight